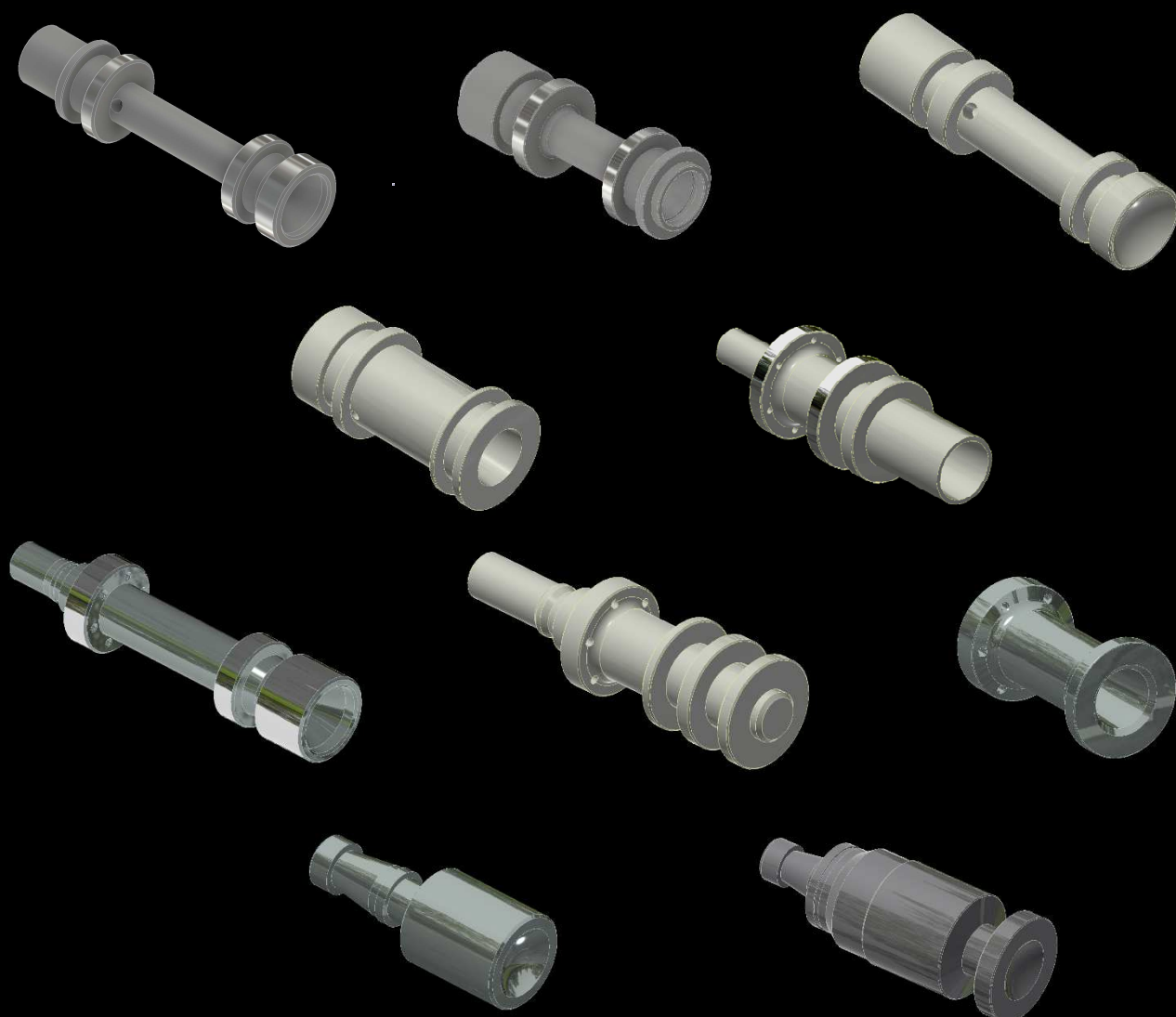


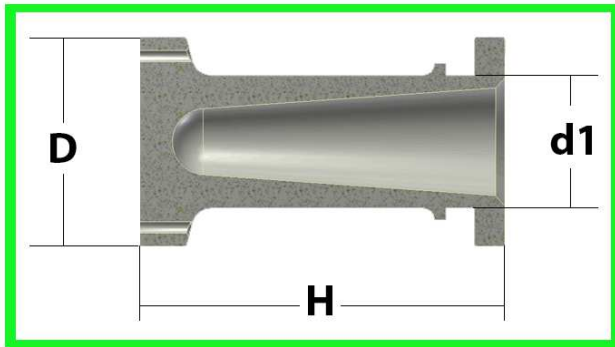


TEASA

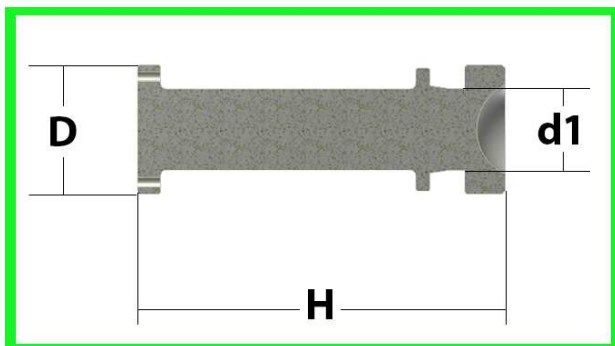
TECNICOS AUTOMOTRICES ASOCIADOS S.A.

CATALOGO DE PISTONES DE BOMBA DE FRENO Y EMBRAGUE 2022

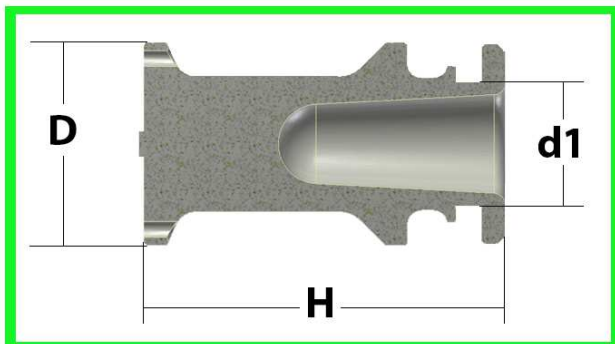




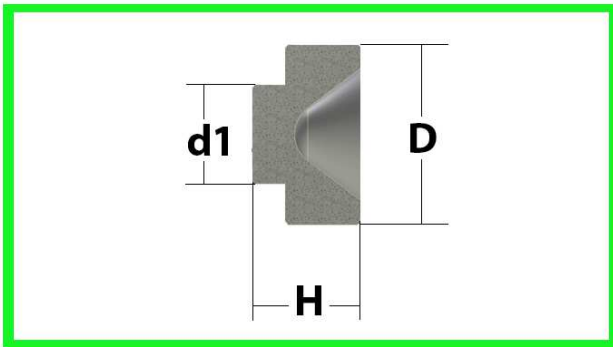
Referencia	D Ext (mm)	d Int 1 (mm)	H (mm)	Observaciones
11.096.00	19.00	11	50.8	PROF CONO = 32
11.006.00	19.00	12	44	PROF CONO = 38
11.058.00	19.00	12	48	PROF CONO = 19.5
11.025.00	19.00	12	50	PROF CONO = 38.5
11.043.10	20.63	12.5	51	PROF CONO = 29.6
11.042.10	20.63	14	48.2	PROF CONO = 37
11.029.00	22.00	11.5	45.60	PROF CONO = 38.5
11.005.00	22.00	11.5	45.80	PROF CONO = 38.5
11.083.00	22.00	14	50.5	PROF CONO = 24
11.008.00	22.00	14.1	32	PROF CONO = 27
11.030.00	22.00	14.25	45	PROF CONO = 38.5
11.075.00	25.40	15.50	44.5	PROF CONO = 38.5
11.063.00	25.40	15.5	50	PROF CONO = 41
11.059.00	25.40	15.5	57	PROF CONO = 40
11.089.00	25.40	16.5	57	PROF CONO = 40
11.068.00	26.98	13.5	57	PROF CONO = 40
11.090.00	31.75	21.5	55.6	PROF CONO = 49
11.055.00	31.75	22	57	PROF CONO = 40
11.055.10	31.75	22	57	PROF CONO = 46



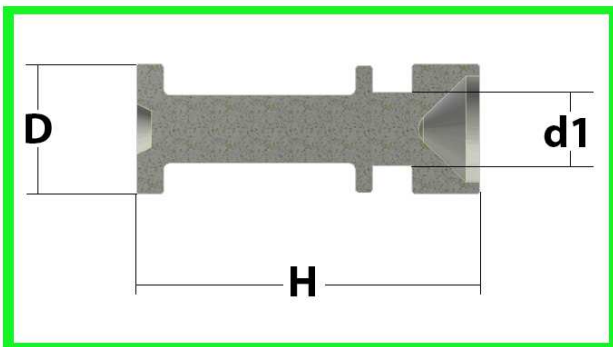
Referencia	D Ext (mm)	d Int 1 (mm)	H (mm)	Observaciones
11.033.00	17.78	11.8	54.9	PROF CONO = 4
11.022.01	19.05	11.2	62	PROF CONO = 13.25
11.005.20	22.00	14.1	45.8	PROF CONO = 7.5
11.038.00	22.00	14.25	45	PROF CONO = 9
11.076.00	22.22	14.2	63.5	PROF CONO = 5
11.121.00	25.40	17.05	50	PROF CONO = 7.2



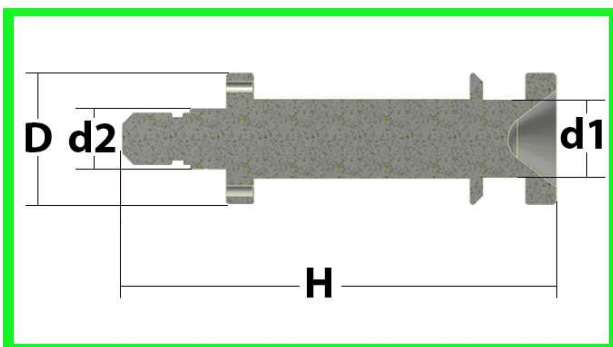
Referencia	D Ext (mm)	d Int 1 (mm)	H (mm)	Observaciones
11.034.10	25.40	15.5	43.5	PROF CONO = 28.5



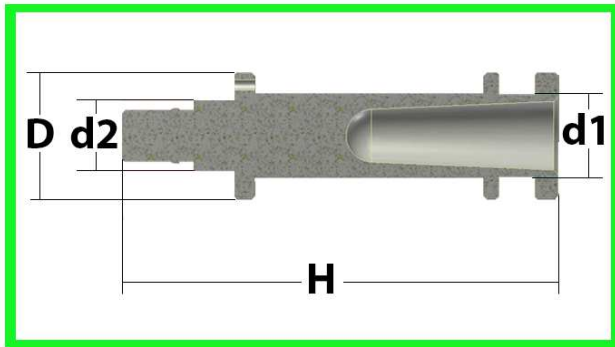
Referencia	D Ext (mm)	d Int 1 (mm)	H (mm)	Observaciones
11.002.20	19.05	10	22.6	PROF CONO = 13.25
11.001.20	19.05	10.5	11.5	PROF CONO = 7



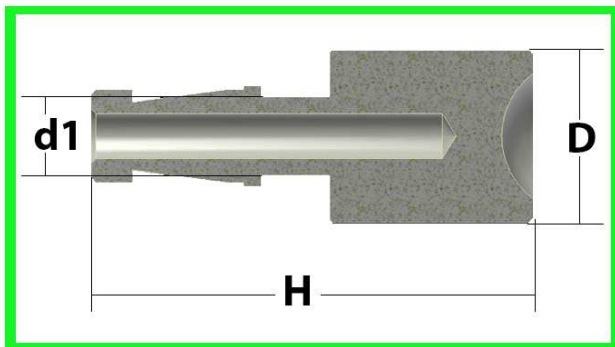
Referencia	D Ext (mm)	d Int 1 (mm)	H (mm)	Observaciones
11.028.00	19.00	10.85	44.5	PROF CONO = 7.2
11.007.00	19.00	10.85	45.2	PROF CONO = 6.5
11.026.00	19.00	10.85	50.3	PROF CONO = 9
11.027.00	19.00	10.85	50.5	PROF CONO = 6.5
11.053.00	19.00	10.85	56.5	PROF CONO = 7



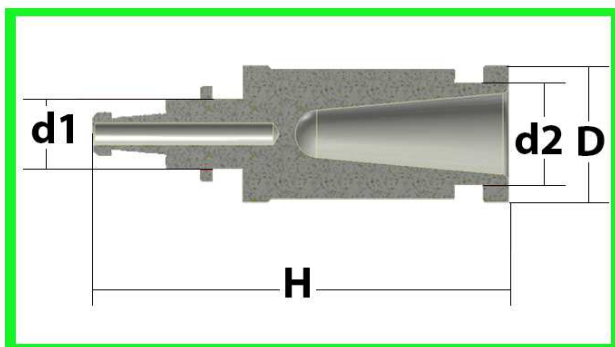
Referencia	D Ext (mm)	d Int 1 (mm)	d Int 2 (mm)	H (mm)	Observaciones
11.062.00	19.00	12.4	11.2	74	PROF CONO = 4.5
11.035.00	19.05	11	11.2	75	PROF CONO = 4.5
11.019.01	19.05	11.2	8.7	62.5	PROF CONO = 7
11.020.00	19.05	11.2	8.7	68	PROF CONO = 13.25
11.047.10	19.05	12.4	11.2	67.5	PROF CONO = 10
11.113.00	19.05	12.4	11.2	75	PROF CONO = 12.5
11.110.00	19.05	12.4	11.2	76	PROF CONO = 13.25
11.051.00	19.05	12.4	11.2	86	PROF CONO = 13.25
11.120.00	22.00	13.8	14	71.8	PROF CONO = 7
11.094.00	22.22	15.5	14	86.5	PROF CONO = 4.5
11.122.00	25.40	15.5	17.4	59.05	PROF CONO = 5
11.086.00	25.40	18.8	17.4	74	PROF CONO = 6
11.064.10	25.40	18.8	17.4	75.7	PROF CONO = 7
11.126.00	25.40	18.8	17.4	76	PROF CONO = 13
11.115.00	26.98	20.2	18	77.7	PROF CONO = 9
11.124.00	28.57	19	16.2	76.2	PROF CONO = 11
11.124.10	28.57	19	16.2	76.2	PROF CONO = 13
11.124.20	28.57	20.2	11.4	76.2	PROF CONO = 11
11.124.30	28.57	20.2	11.4	76.2	PROF CONO = 13



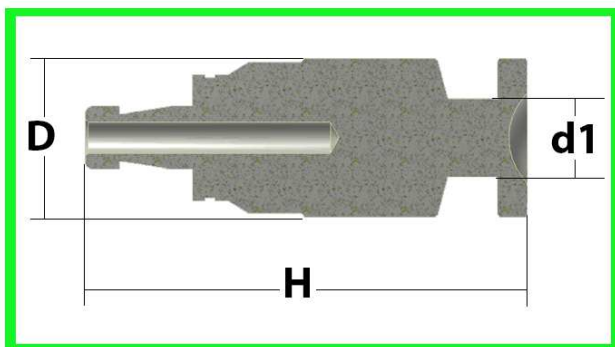
Referencia	D Ext (mm)	d Int 1 (mm)	d Int 2 (mm)	H (mm)	Observaciones
11.010.00	19.05	11	11	70	PROF CONO = 32.75
11.117.00	19.05	12.2	11.2	66.7	PROF CONO = 25.2
11.009.00	22.00	14.1	14	55.4	PROF CONO = 26.5
11.111.00	23.81	15.7	13.5	82.2	PROF CONO = 40
11.112.00	31.75	23.6	12	73	PROF CONO = 49.25



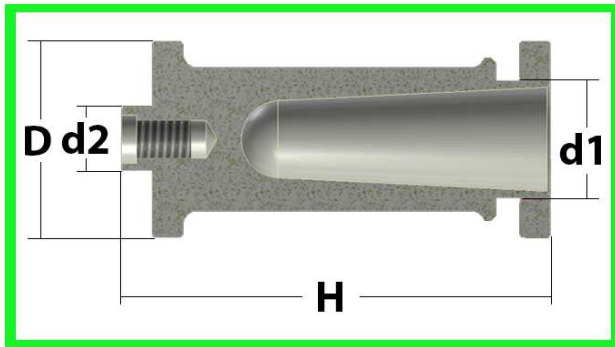
Referencia	D Ext (mm)	d Int 1 (mm)	H (mm)	Observaciones
11.052.00	19.00	8.7	53.5	PROF CONO = 5
11.004.00	19.05	8.6	48.5	PROF CONO = 3



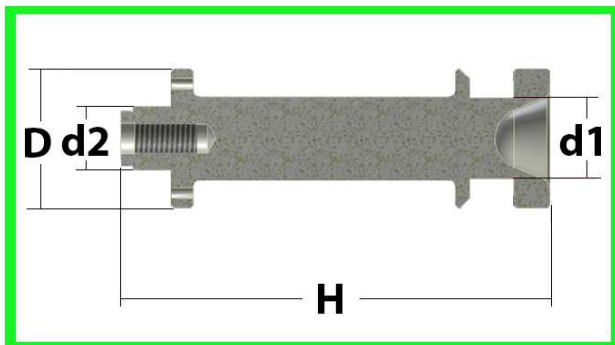
Referencia	D Ext (mm)	d Int 1 (mm)	d Int 2 (mm)	H (mm)	Observaciones
11.017.00	31.75	16	23.6	95.85	PROF CONO = 49.25
11.018.00	44.45	27		96	PROF CONO = 50



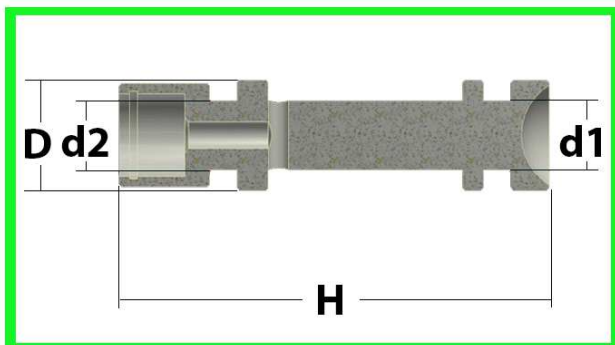
Referencia	D Ext (mm)	d Int 1 (mm)	H (mm)	Observaciones
11.114.00	25.40	12.65	71.25	PROF CONO = 3



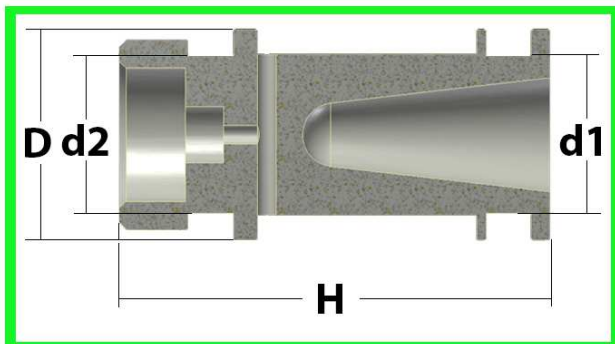
Referencia	D Ext (mm)	d Int 1 (mm)	d Int 2 (mm)	H (mm)	Observaciones
11.015.10	25.40	12		50.5	PROF CONO = 28.3
11.060.10	25.40	12.5	8.5	55.5	PROF CONO = 40
11.056.10	31.75	23.6	12	68	PROF CONO = 40
11.118.00	38.10	26.5	16.5	73.5	PROF CONO = 42



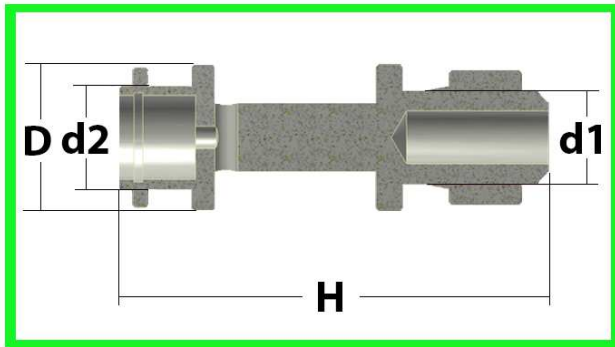
Referencia	D Ext (mm)	d Int 1 (mm)	d Int 2 (mm)	H (mm)	Observaciones
11.045.10	17.78	11.2	10	58.2	PROF CONO = 5
11.031.10	19.00	11.2	11.2	62.7	PROF CONO = 9.5
11.037.10	19.05	12.4	11.2	58.2	PROF CONO = 5



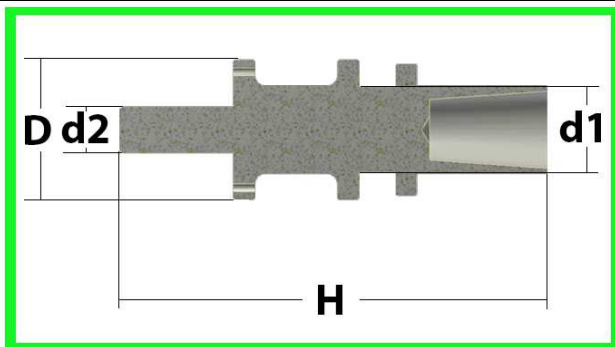
Referencia	D Ext (mm)	d Int 1 (mm)	d Int 2 (mm)	H (mm)	Observaciones
11.095.00	15.87	10	10	62	PROF CONO = 4
11.101.00	17.46	11	9.5	75	PROF CONO = 11.3
11.073.10	19.00	11.1	11.2	72.5	PROF CONO = 13
11.106.00	19.00	12.4	11.2	74.5	PROF CONO = 12
11.104.00	19.05	12.4	13	75	PROF CONO = 10
11.093.10	20.63	12.4	12.4	73.5	PROF CONO = 8
11.071.10	20.63	12.4	12.4	74.5	PROF CONO = 13
11.105.00	20.63	12.4	12.4	77.4	PROF CONO = 12
11.099.00	20.63	12.5	12.4	74.8	PROF CONO = 13.3
11.097.00	20.63	12.5	12.5	89.5	PROF CONO = 13.3
11.069.10	22.00	14	14	76.5	PROF CONO = 13



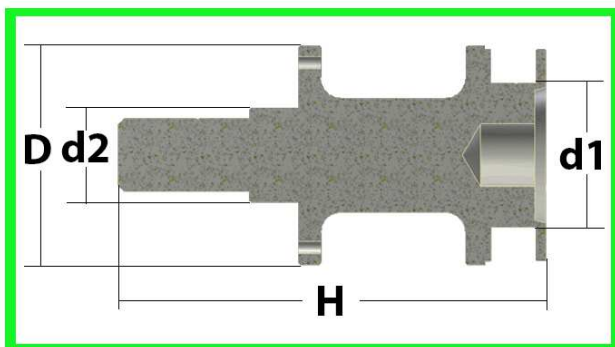
Referencia	D Ext (mm)	d Int 1 (mm)	d Int 2 (mm)	H (mm)	Observaciones
11.091.00	38.10	25.6	25.6	65	PROF CONO = 40.3
11.077.00	44.45	33	33	90.5	PROF CONO = 52



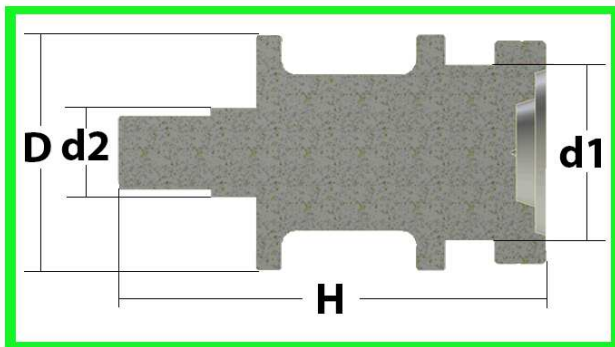
Referencia	D Ext (mm)	d Int 1 (mm)	d Int 2 (mm)	H (mm)	Observaciones
11.102.00	17.46	11	9.5	50	ASIENTO VALVULA INTERIOR
11.074.10	19.00	11.1	11.2	49.5	ASIENTO VALVULA INTERIOR
11.107.00	19.00	12.4	11.2	52	ASIENTO VALVULA INTERIOR
11.103.00	19.05	12.4	13	56	ASIENTO VALVULA INTERIOR
11.072.10	20.63	12.4	12.4	51.5	ASIENTO VALVULA INTERIOR
11.098.00	20.63	12.5	12.5	52.5	ASIENTO VALVULA INTERIOR
11.100.00	20.63	12.5	12.5	53	ASIENTO VALVULA INTERIOR
11.070.10	22.00	14	14	52.5	ASIENTO VALVULA INTERIOR
11.081.10	22.00	14	14	52.5	ASIENTO VALVULA INTERIOR
11.092.00	38.10	25.6	25.6	48	ASIENTO VALVULA INTERIOR
11.078.00	44.45	33	33	96.5	ASIENTO VALVULA INTERIOR
11.087.00	44.45	33	33	96.6	ASIENTO VALVULA INTERIOR



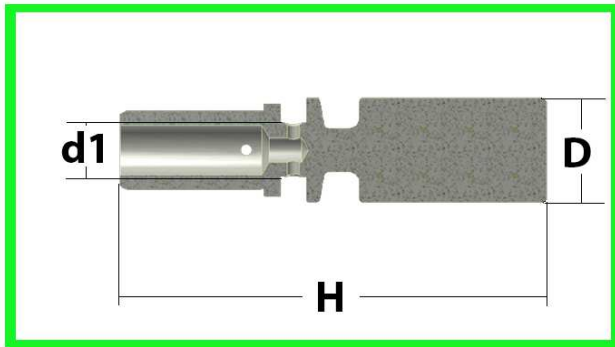
Referencia	D Ext (mm)	d Int 1 (mm)	d Int 2 (mm)	H (mm)	Observaciones
11.016.10	25.40	14	8.5	71.2	
11.023.10	25.40	14	8.5	75.5	
11.061.10	25.40	15.5	8.5	77.5	



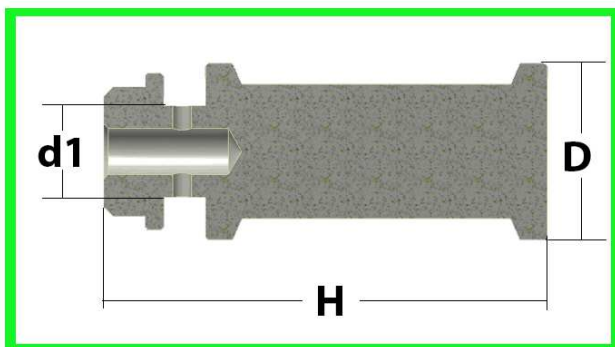
Referencia	D Ext (mm)	d Int 1 (mm)	d Int 2 (mm)	H (mm)	Observaciones
11.119.00	38.10	25.1	16.5	74.1	PROF CONO = 14.5



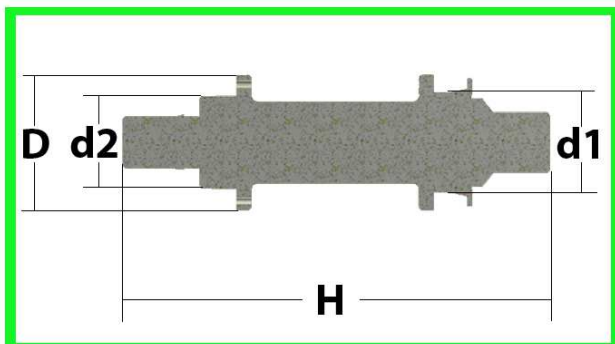
Referencia	D Ext (mm)	d Int 1 (mm)	d Int 2 (mm)	H (mm)	Observaciones
11.057.20	31.75	23.6	12	57.5	



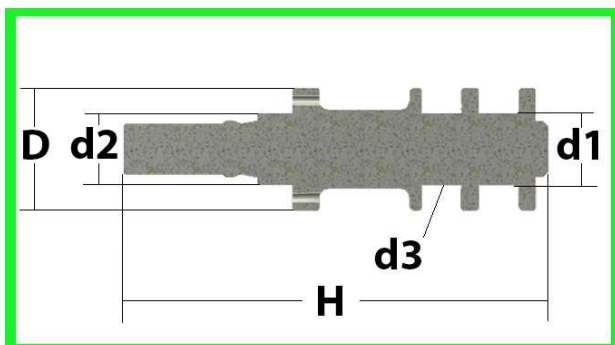
Referencia	D Ext (mm)	d Int 1 (mm)	H (mm)	Observaciones
11.002.10	19.05	7.75	63.75	
11.021.10	19.05	10	77.4	



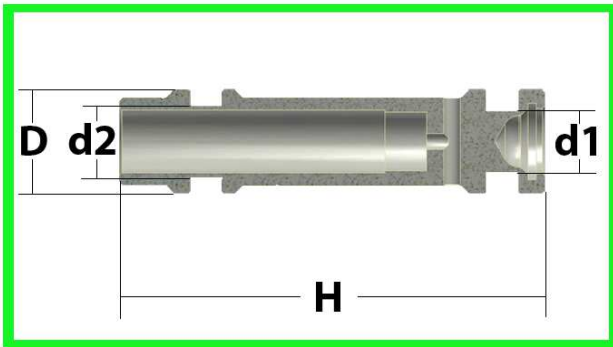
Referencia	D Ext (mm)	d Int 1 (mm)	H (mm)	Observaciones
11.001.10	19.05	10	48	



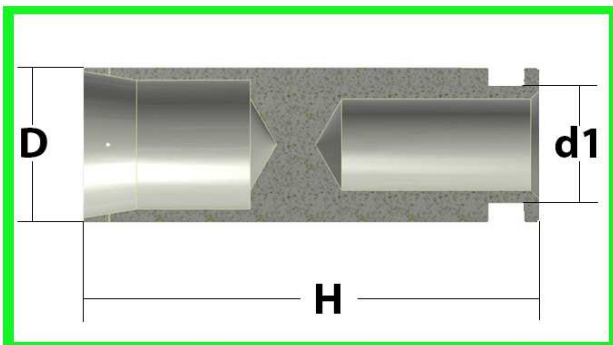
Referencia	D Ext (mm)	d Int 1 (mm)	d Int 2 (mm)	H (mm)	Observaciones
11.046.10	17.78	11.2	10	69.2	
11.041.10	19.05	12.4	11.2	69.2	
11.048.10	19.05	12.4	11.2	81.5	
11.050.10	19.05	12.4	11.2	84.5	
11.049.10	19.05	12.4	11.2	87.5	
11.065.10	25.40	18.8	17.4	79.8	
11.127.00	25.40	18.8	17.4	84	
11.123.00	25.40	18.8	17.4	85	
11.116.00	26.98	20.2	18	78.4	
11.125.00	28.57	19	16.2	84.1	



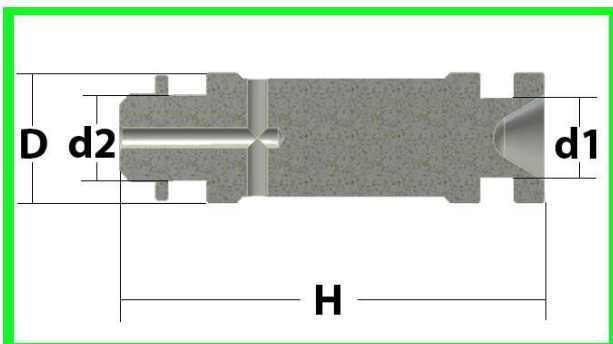
Referencia	D Ext (mm)	d Int 1 (mm)	d Int 2 (mm)	H (mm)	Observaciones
11.032.10	19.00	11.2	11.2	65.6	$d3 = 11.2$



Referencia	D Ext (mm)	d Int 1 (mm)	d Int 2 (mm)	H (mm)	Observaciones
11.067.00	19.00	11.15	11.15	58.25	ASIENTO VALVULA INTERIOR
11.088.01	19.00	11.15	13	58.25	ASIENTO VALVULA INTERIOR



Referencia	D Ext (mm)	d Int 1 (mm)	H (mm)	Observaciones
11.108.00	38.10	29	112	



Referencia	D Ext (mm)	d Int 1 (mm)	d Int 2 (mm)	H (mm)	Observaciones
11.082.00	25.40	15.5	16	83	PROF CONO = 10